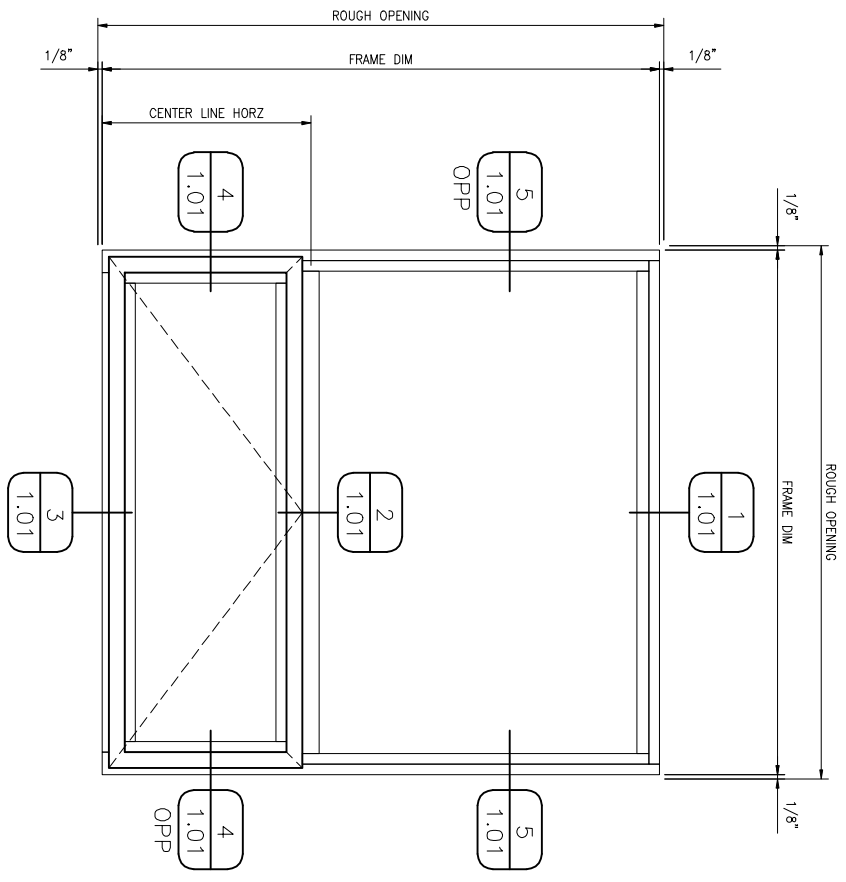
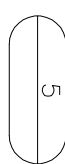
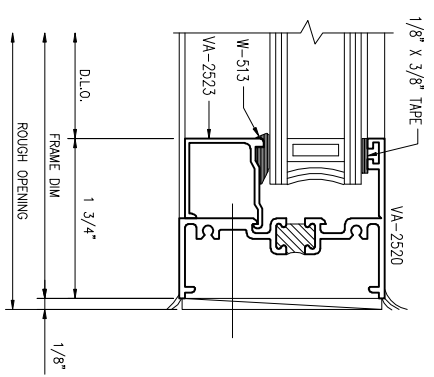
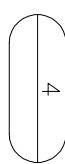
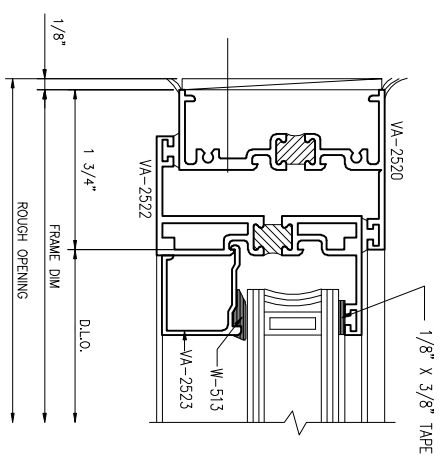
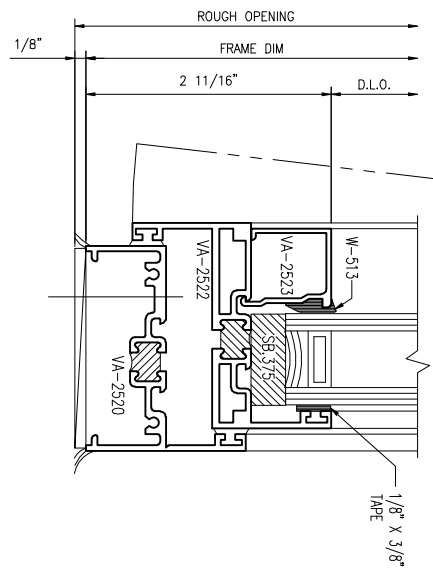
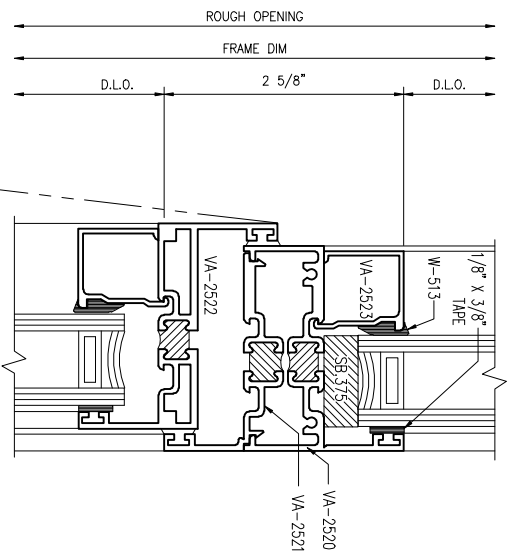
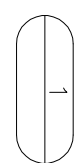
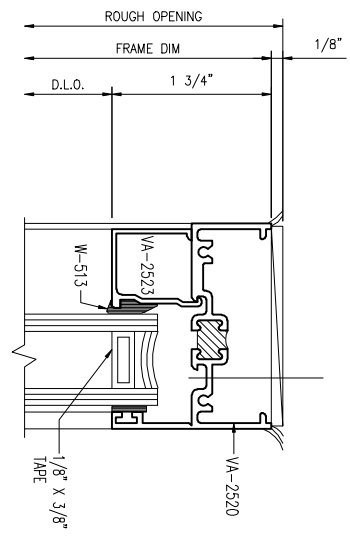


SERIES 2500 THERMAL FIXED OVER PROJECT OUT VENT

DETAIL VIEWED FROM THE EXTERIOR.
 SCREENS AVAILABLE AS REQUIRED.
 GLASS FORMULA IS:
 VENT WIDTH = V.D. - 4 9/16"
 VENT HEIGHT = V.D. - 4 9/16"
 FIXED LITE WIDTH = D.L.O. + 1"
 FIXED LITE HEIGHT = D.L.O. + 1"



PROJECT NO:	SCALE FULL SCALE DETAILS
PAGE #:	DRAWN BY: H.D.S.
1.01	

PROJECT:	STANDARD SERIES 2500 DETAILS FIXED OVER PROJECT OUT
LOCATION:	
CUSTOMER:	
ARCHITECT:	

Valley Building Specialties V.B.S.
 Windows, Doors and More

5401 Central Avenue Suite "G"
 Hot Springs, AR 71913
 501-525-3268

© 2006 VBS ALL RIGHTS RESERVED

REV.	BY	x/x/x/	DATE	FIRST SUBMISSION
				DESCRIPTION