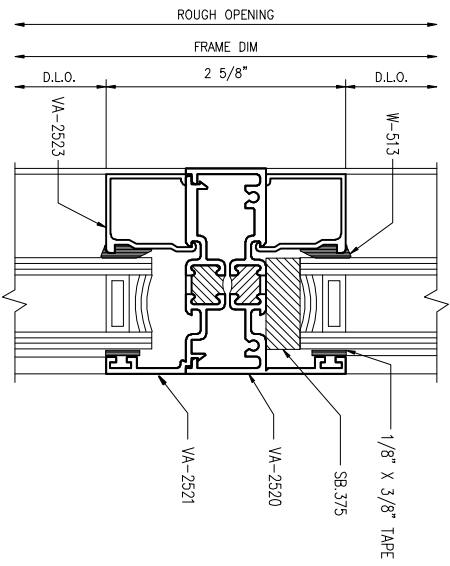
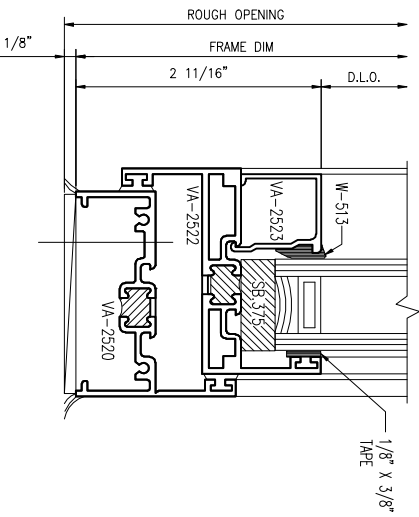


1



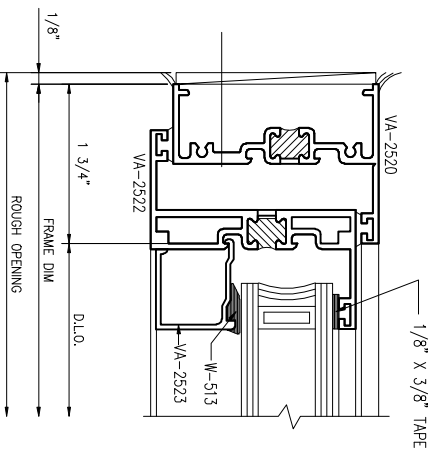
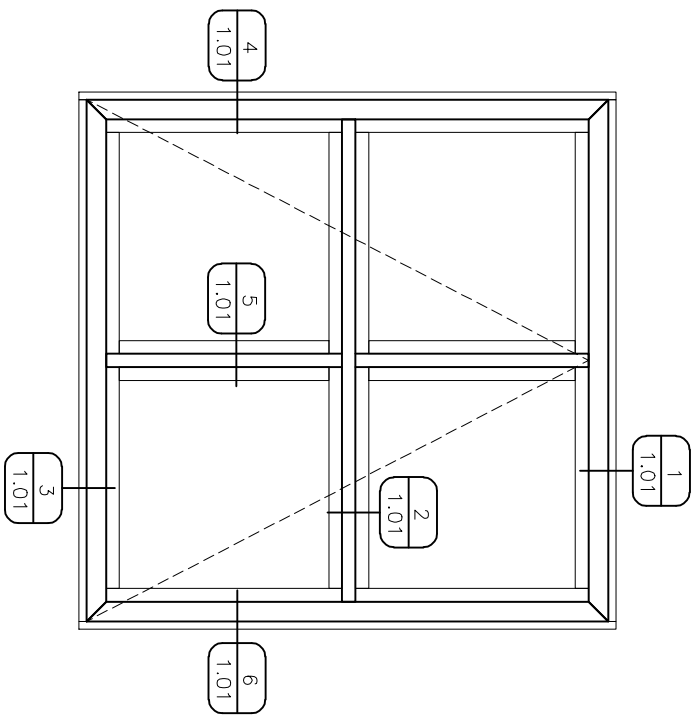
2



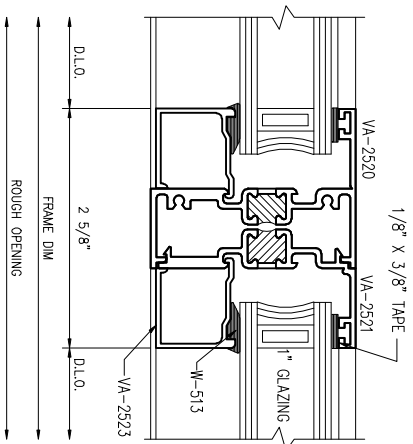
3

**SERIES 2500 THERMAL
PROJECT OUT VENT WITH
MUNTINS**

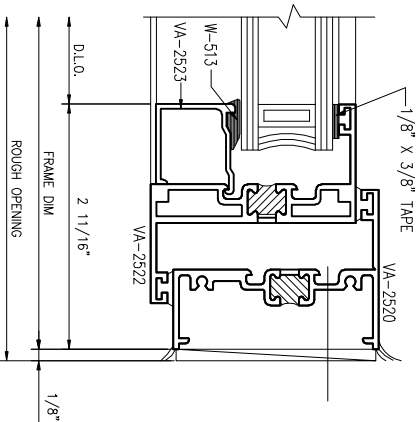
DETAIL VIEWED FROM THE EXTERIOR.
SCREENS AVAILABLE AS REQUIRED.
GLASS FORMULA IS:
VENT WIDTH = V.D. - 4 9/16"
VENT HEIGHT = V.D. - 4 9/16"
FIXED LITE WIDTH = D.L.O. + 1"
FIXED LITE HEIGHT = D.L.O. + 1"



4



5



6

PROJECT NO:	SCALE FULL SCALE DETAILS
PAGE #:	DRAWN BY: H.D.S.
1.01	

PROJECT:	STANDARD SERIES 2500 DETAILS
LOCATION:	
CUSTOMER:	
ARCHITECT:	

Valley Building Specialties V.B.S.
Windows, Doors and More

5401 Central Avenue Suite "G"
Hot Springs, AR 71913
501-525-3268

© 2006 VBS ALL RIGHTS RESERVED

REV.	BY	DATE	DESCRIPTION
		x/x/x/	FIRST SUBMISSION