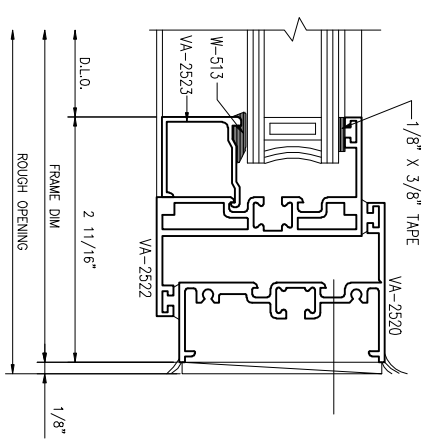
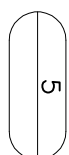
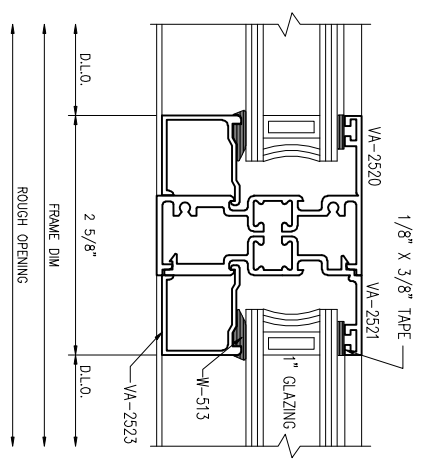
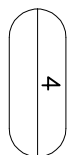
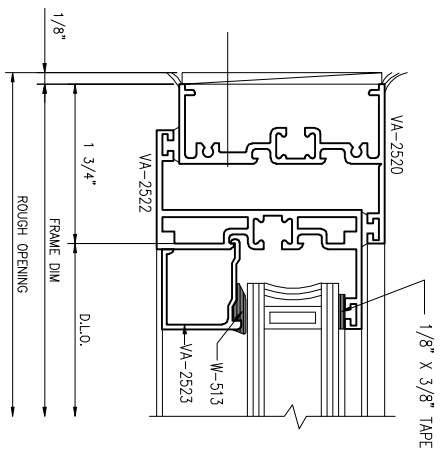
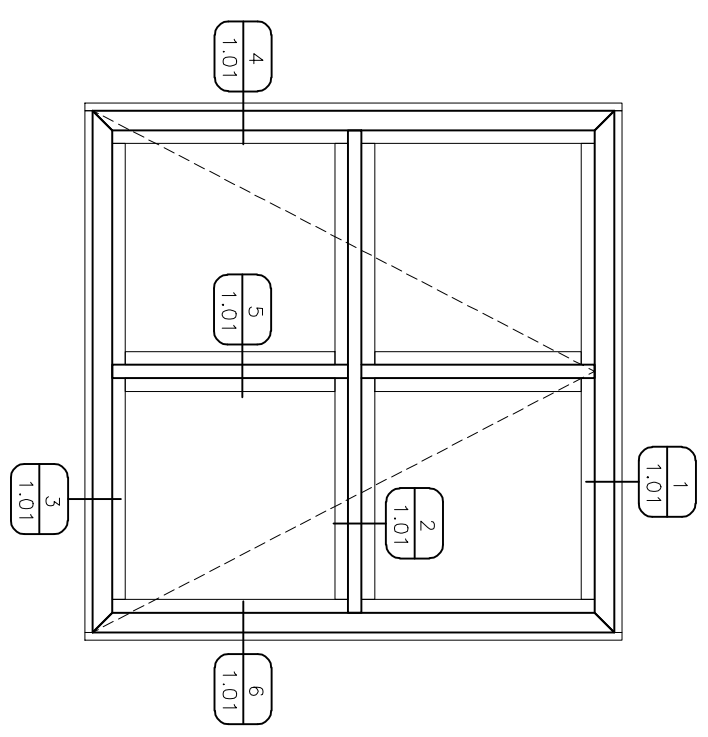


**SERIES 2500 NON THERMAL  
PROJECT OUT VENT WITH MOUNTING**

DETAIL VIEWED FROM THE EXTERIOR.  
SCREENS AVAILABLE AS REQUIRED.  
GLASS FORMULA IS:

VENT WIDTH = V.D. - 4 9/16"  
VENT HEIGHT = V.D. - 4 9/16"  
FIXED LITE WIDTH = D.L.O. + 1"  
FIXED LITE HEIGHT = D.L.O. + 1"



PROJECT NO:	SCALE FULL SCALE DETAILS
PAGE #:	DRAWN BY: H.D.S.
<b>1.01</b>	

PROJECT:	STANDARD SERIES 2500 DETAILS
LOCATION:	
CUSTOMER:	
ARCHITECT:	

**Valley Building Specialties V.B.S.**  
Windows, Doors and More

5401 Central Avenue Suite "G"  
Hot Springs, AR 71913  
501-525-3268

© 2006 VBS ALL RIGHTS RESERVED

REV.	BY	DATE	DESCRIPTION
		x/x/x/	FIRST SUBMISSION