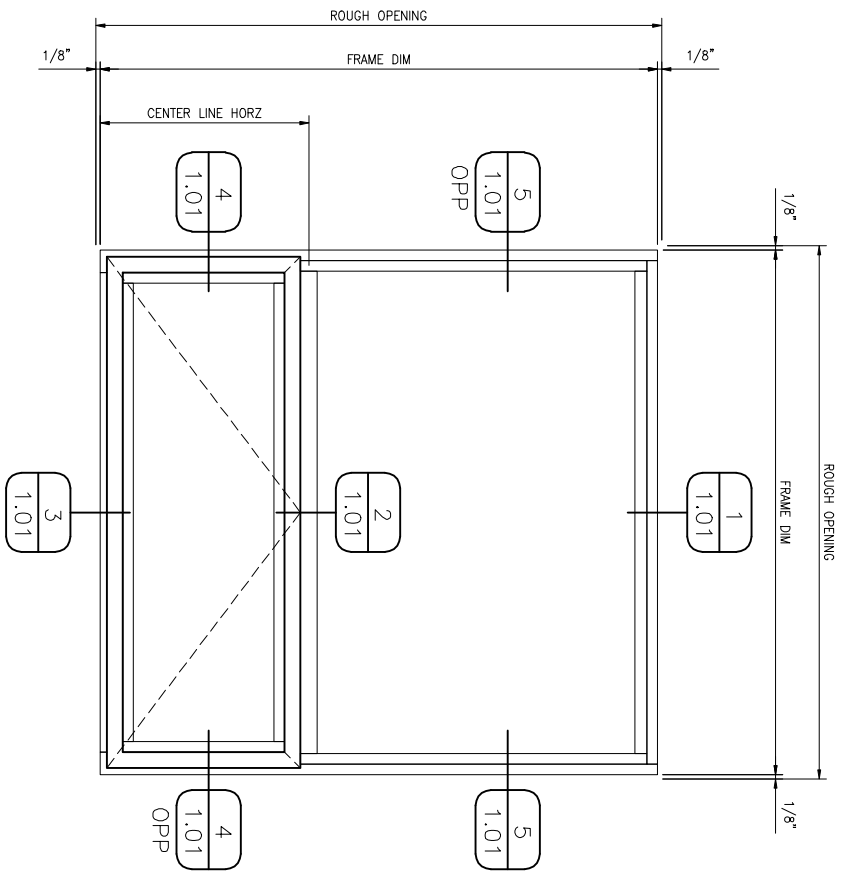
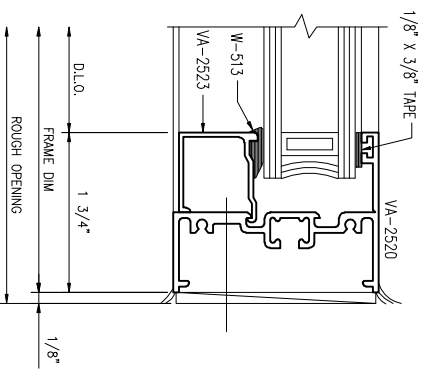
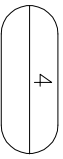
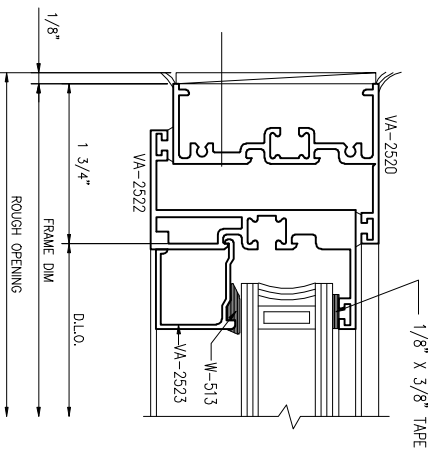
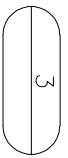
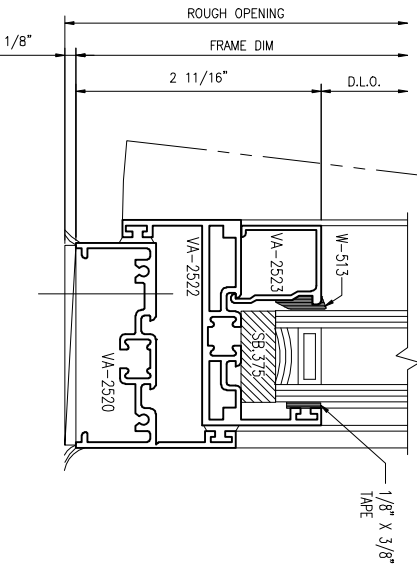
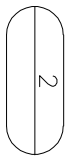
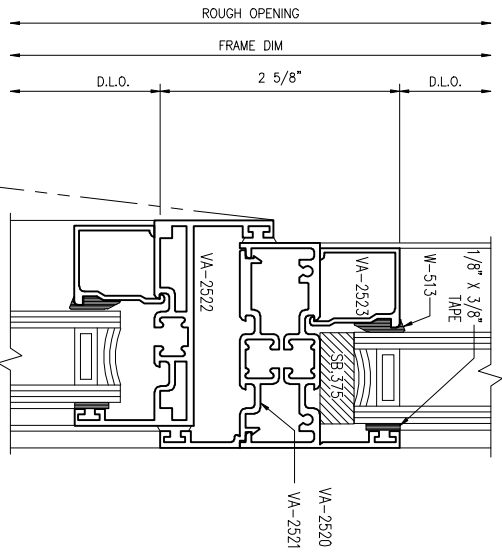
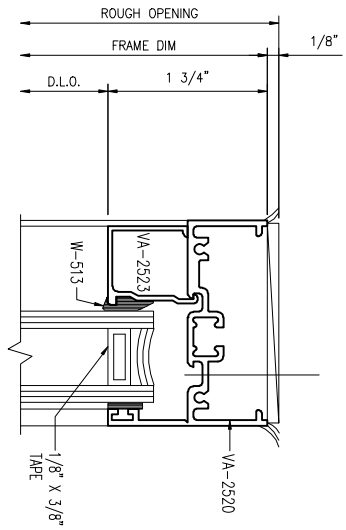


**SERIES 2500 NON THERMAL,
FIXED OVER PROJECT OUT VENT**

DETAIL VIEWED FROM THE EXTERIOR.
SCREENS AVAILABLE AS REQUIRED.
GLASS FORMULA IS:
VENT WIDTH = V.D. - 4 9/16"
VENT HEIGHT = V.D. - 4 9/16"
FIXED LITE WIDTH = D.L.O. + 1"
FIXED LITE HEIGHT = D.L.O. + 1"



PROJECT NO:	SCALE FULL SCALE DETAILS
PAGE #:	DRAWN BY: H.D.S.
1.01	

PROJECT:	STANDARD SERIES 2500 DETAILS FIXED OVER PROJECT OUT
LOCATION:	
CUSTOMER:	
ARCHITECT:	

Valley Building Specialties V.B.S.
Windows, Doors and More

5401 Central Avenue Suite "G"
Hot Springs, AR 71913
501-525-3268

© 2006 VBS ALL RIGHTS RESERVED

REV.	BY	DATE	FIRST SUBMISSION
			DESCRIPTION