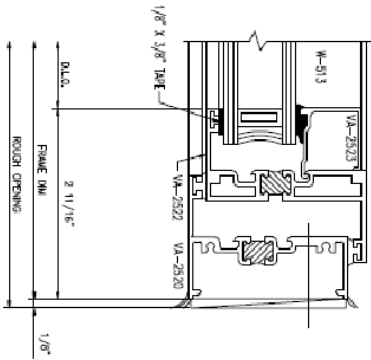
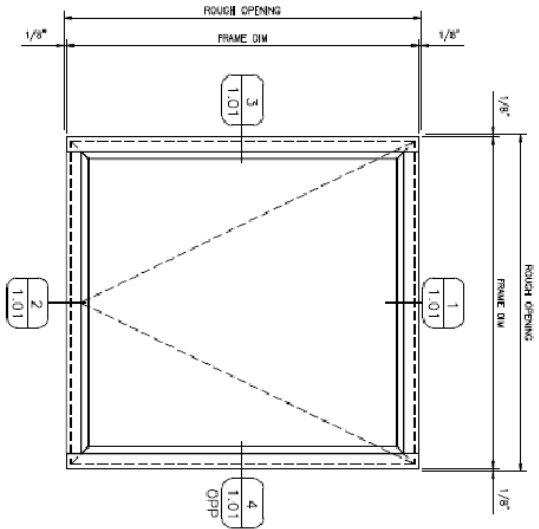


**SERIES 2500 THERMAL PROJECT**  
**IN TOP VIEW**  
 DETAIL VIEWED FROM THE EXTERIOR.  
 SERIES NUMBERS REQUIRED:  
 GLASS FORMULA IS:  
 VENT WIDTH = VD - 4 9/16"  
 VENT HEIGHT = VH - 4 9/16"  
 FIXED W/ WIDTH = D.L.O. + 4 1"  
 FIXED W/ HEIGHT = D.L.O. + 1"



PROJECT NO:	SCALE FULL SCALE DETAILS	PROJECT: STANDARD SERIES 2500 DETAILS	<b>Valley Building Specialties V.B.S.</b> <i>Windows, Doors and More</i> 5401 Central Avenue Suite "G" Hot Springs, AR 71913 501-525-3268 © 2006 VBS ALL RIGHTS RESERVED	
PAGE #:	DRAWN BY: H.D.S.	LOCATION: PROJECT IN TOP		
1.01				
CUSTOMER: ARCHITECT:				
		REV. BY	DATE	DESCRIPTION
				FIRST SUBMISSION